

Section 07 00 00
Acoustical Joint Sealants

NOTE TO SPECIFIER: This specification section addresses only “Acoustical Joint Sealants” associated with sound attenuation. Specifications for other purposes, such as “Elastomeric Joint Sealants”, under companion section 07 84 43 must be evaluated separately.

PART 1 - General

1.01 Related Documents:

- A. Drawings and general provisions of Contract, including General and Supplementary Conditions and Division-1 Specification Section, apply to work specified in this section.

1.02 Definitions:

- A. Acoustic Joint Sealant: “Acoustic Joint Sealant or Spray: Material or combination of materials used to achieve specified acoustical rating of non-fire-rated assembly by providing an effective barrier against sound transmission through construction joint and through penetration openings.”

1.03 General Description of the Work of this Section:

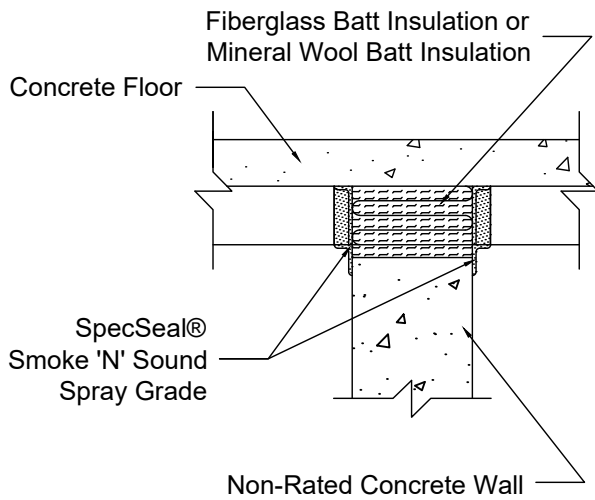
Only tested acoustic systems shall be used in specific locations as follows:

- A. Top-of-Wall, Wall-to-Wall, Bottom-of-Wall Joints in gypsum board partitions.
- B. Top-of-Wall, Wall-to-Wall, Floor-to-Wall Joints in concrete walls.
- C. Floor-to-Floor Joints in concrete floors
- D. Through-penetrations in gypsum and masonry walls and floors.

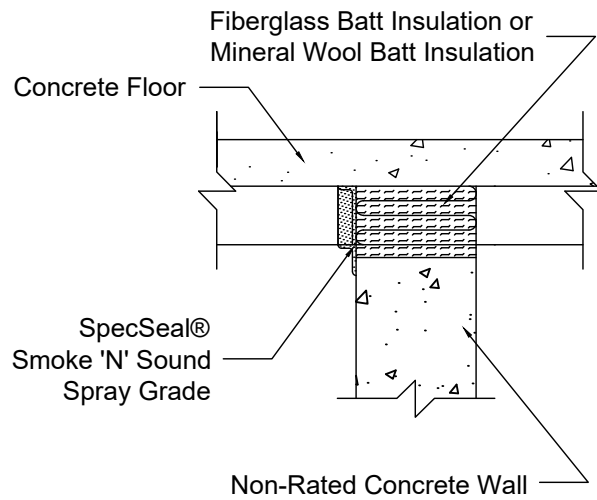
1.04 Related Work of Other Sections

- A. Coordinate work of this section with work of other sections as required to properly execute the work and as necessary to maintain satisfactory progress of the work of other sections, including:
 - 1. Section 07 84 00 - General Firestopping
 - 2. Section 07 84 13 - Penetration Firestopping
 - 3. Section 07 84 43 - Joint Systems
 - 4. Section 07 84 53 - Building Perimeter Firestopping
 - 5. Section 22 00 00 - Plumbing Firestopping
 - 6. Section 23 00 00 - HVAC Firestopping
 - 7. Section 26 00 00 - Electrical
 - 8. Section 27 05 28 - Communications Firestopping

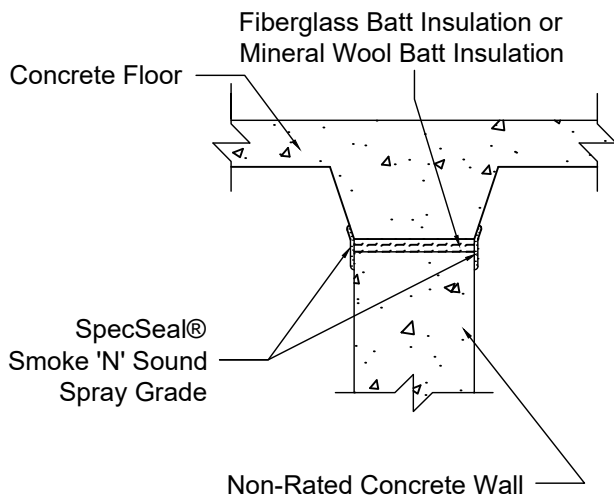
1/8" (3.2mm) Wet Thickness Both Sides of Wall



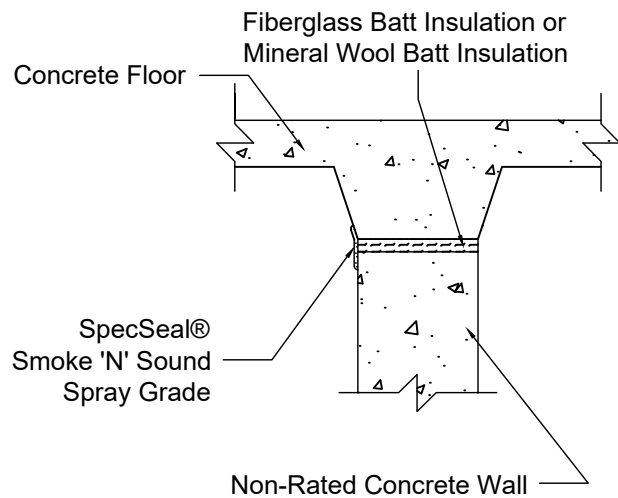
1/8" (3.2mm) Wet Thickness One Side of Wall



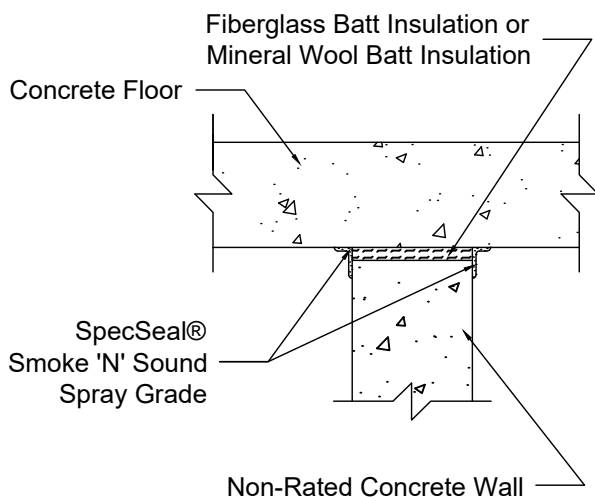
1/8" (3.2mm) Wet Thickness Both Sides of Wall



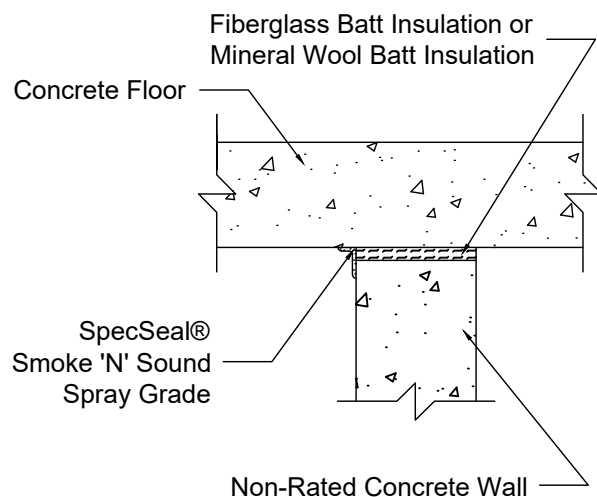
1/8" (3.2mm) Wet Thickness One Side of Wall



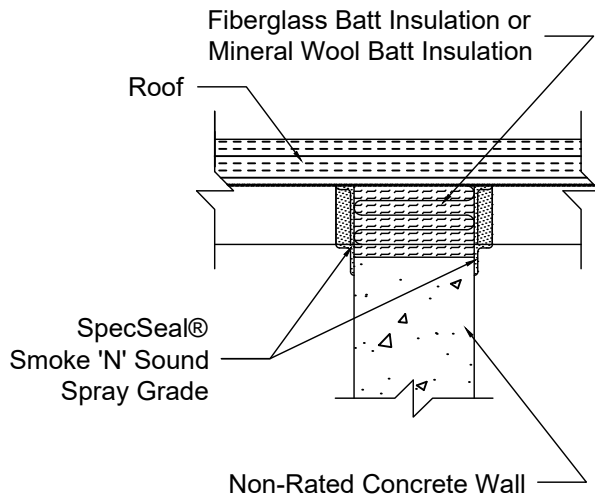
1/8" (3.2mm) Wet Thickness Both Sides of Wall



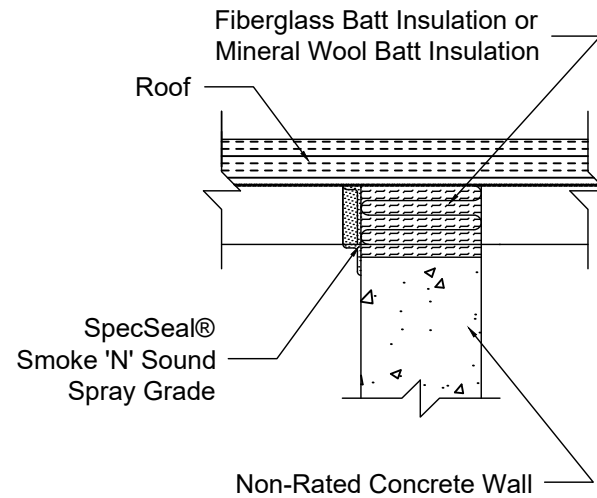
1/8" (3.2mm) Wet Thickness One Side of Wall



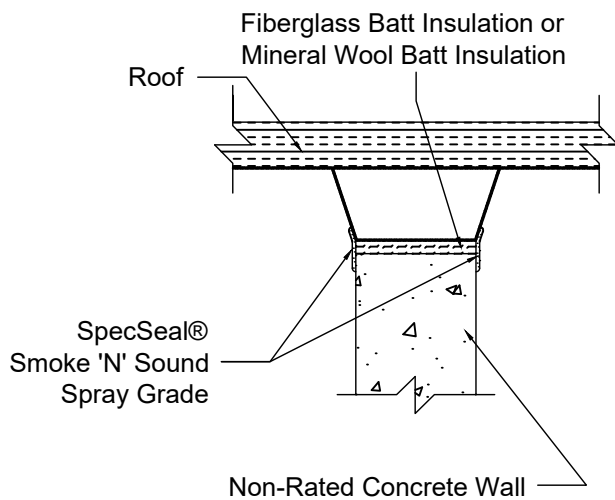
1/8" (3.2mm) Wet Thickness Both Sides of Wall



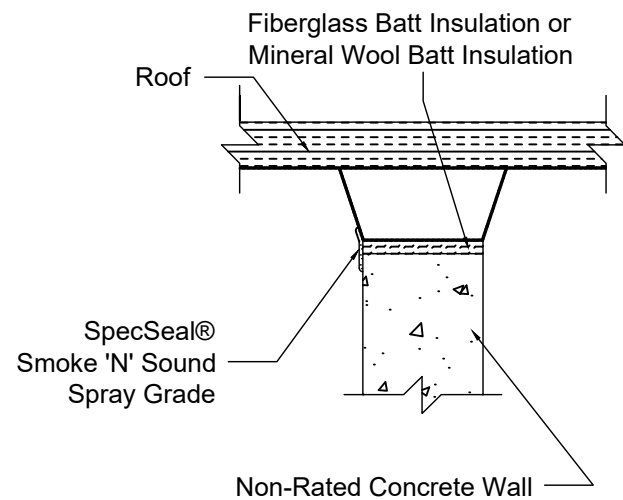
1/8" (3.2mm) Wet Thickness One Side of Wall



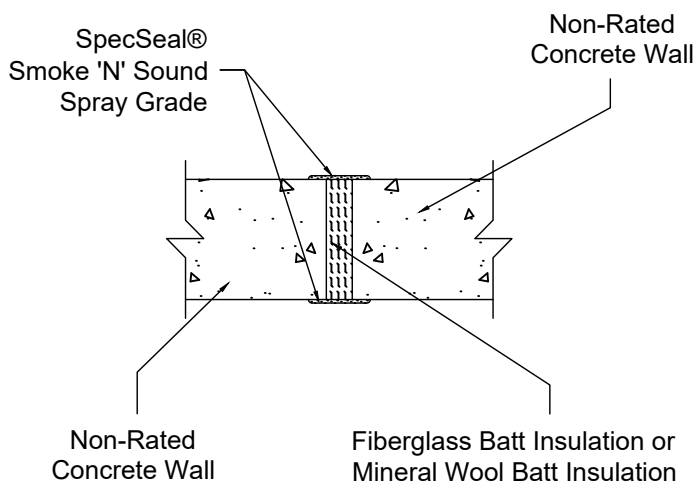
1/8" (3.2mm) Wet Thickness Both Sides of Wall



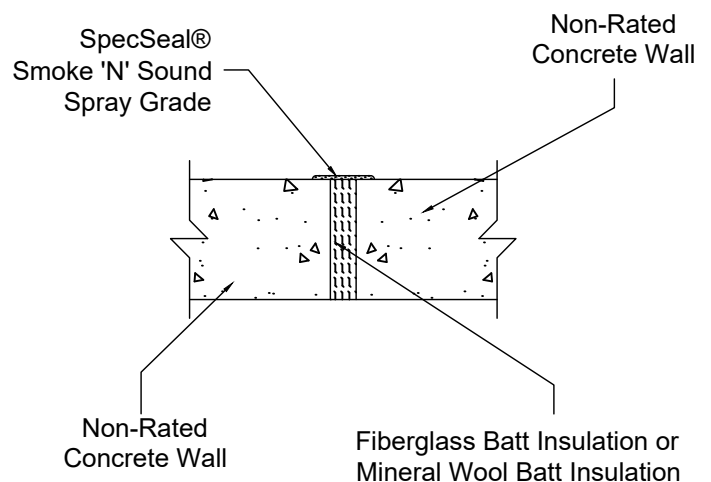
1/8" (3.2mm) Wet Thickness One Side of Wall



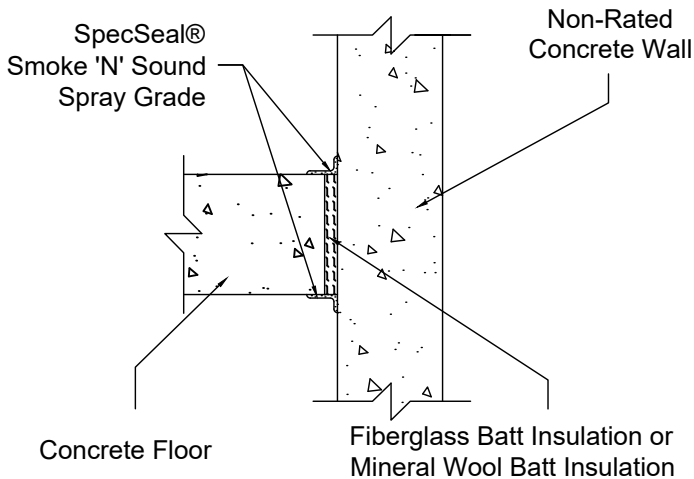
1/8" (3.2mm) Wet Thickness Both Sides of Wall



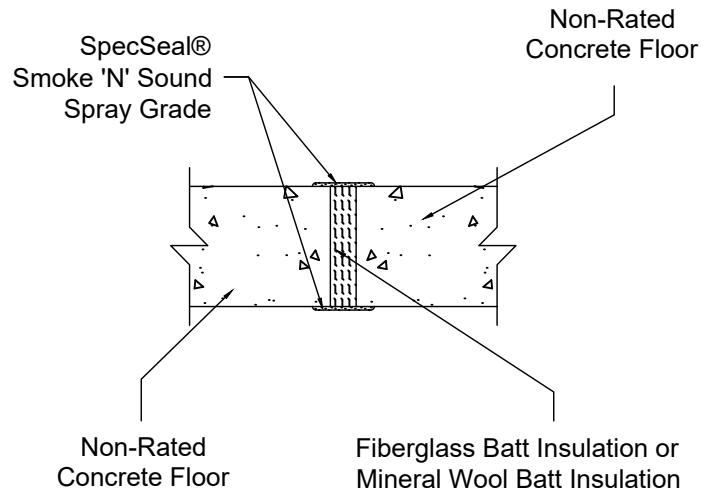
1/8" (3.2mm) Wet Thickness One Side of Wall



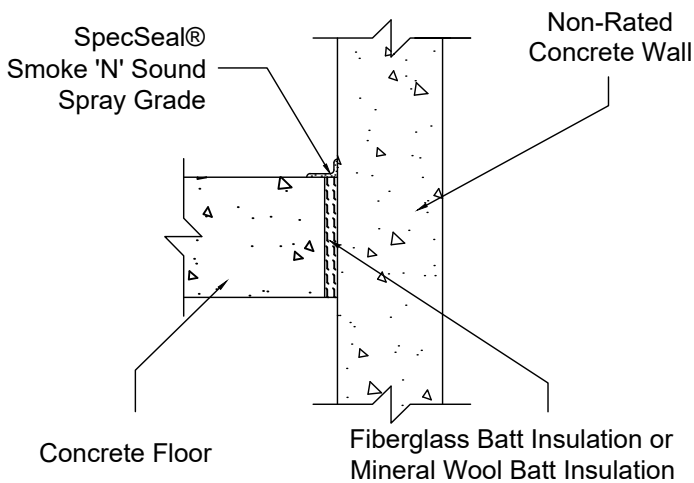
1/8" (3.2mm) Wet Thickness Both Sides of Floor



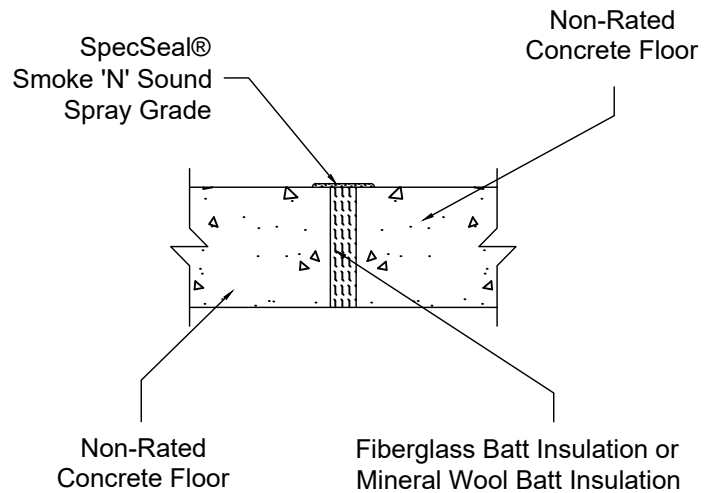
1/8" (3.2mm) Wet Thickness Both Sides of Floor



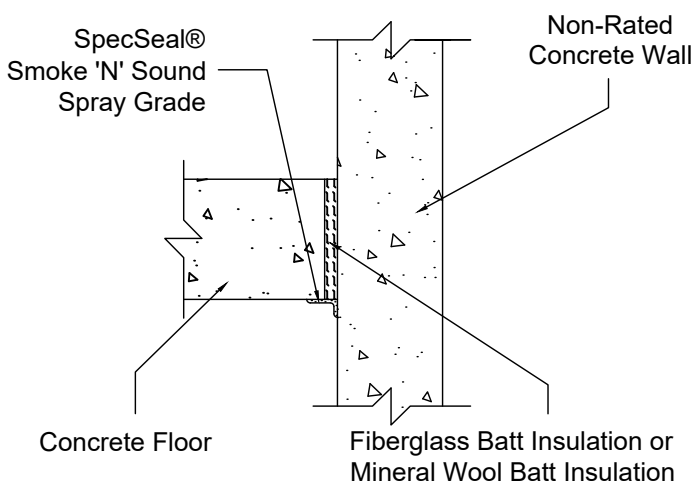
1/8" (3.2mm) Wet Thickness Top Side of Floor



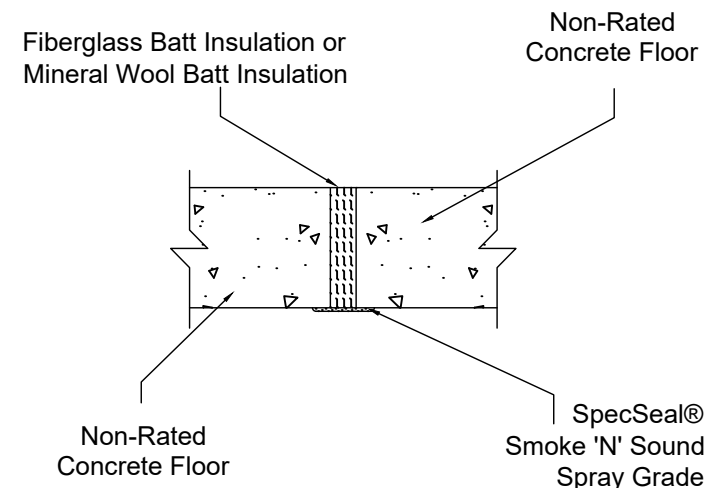
1/8" (3.2mm) Wet Thickness Top Side of Floor



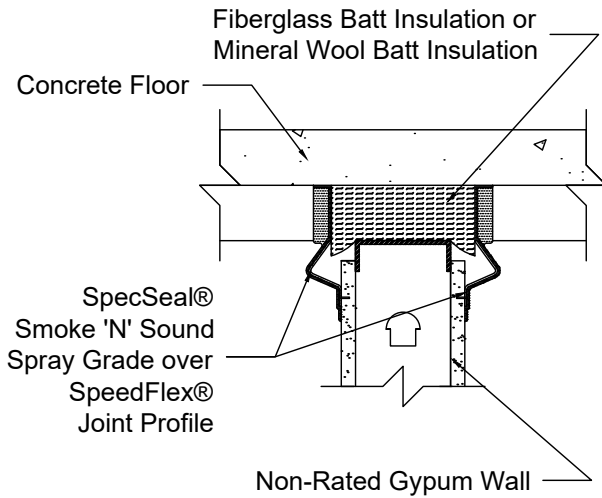
1/8" (3.2mm) Wet Thickness Bottom Side of Floor



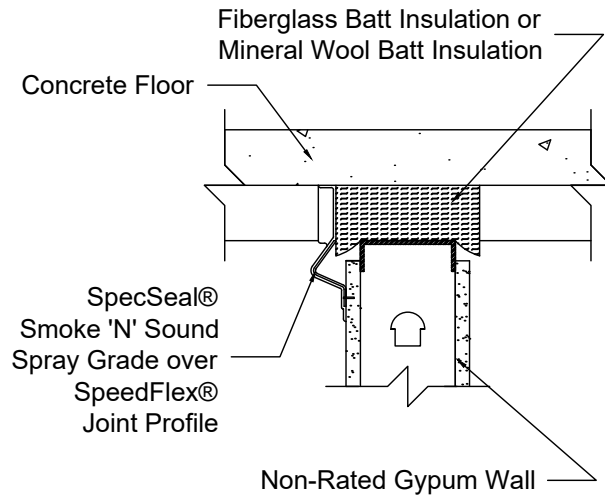
1/8" (3.2mm) Wet Thickness Bottom Side of Floor



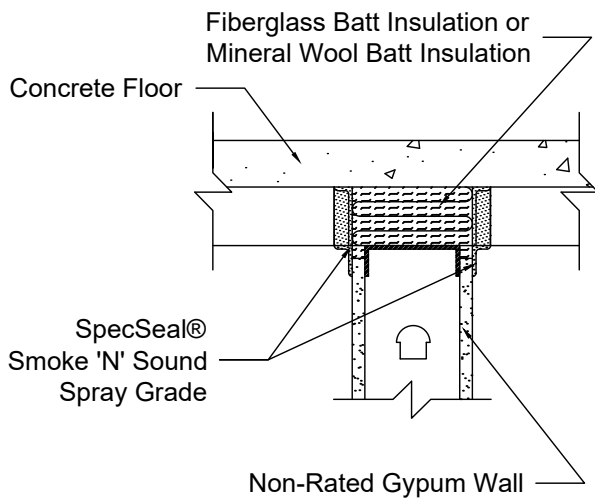
1/8" (3.2mm) Wet Thickness Both Sides of Wall



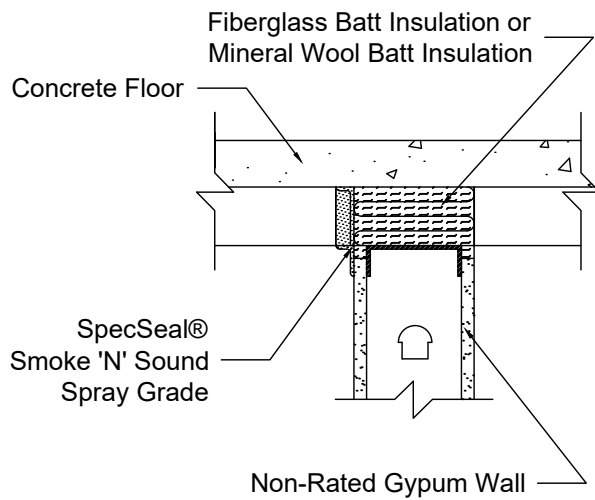
1/8" (3.2mm) Wet Thickness One Side of Wall



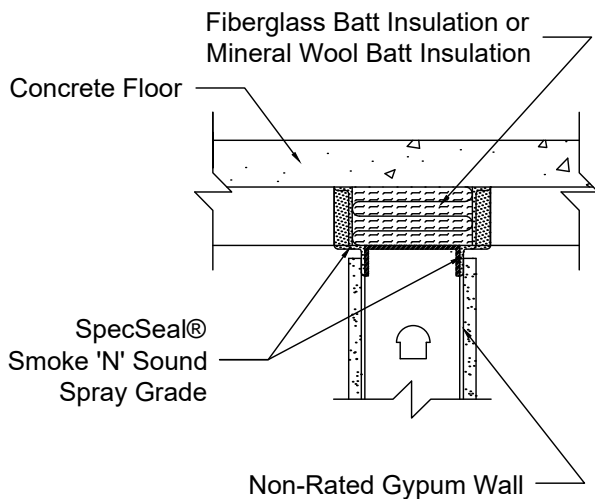
1/8" (3.2mm) Wet Thickness Both Sides of Wall



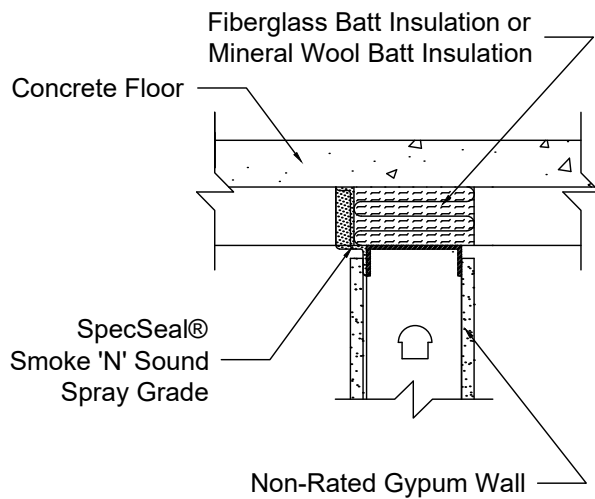
1/8" (3.2mm) Wet Thickness One Side of Wall



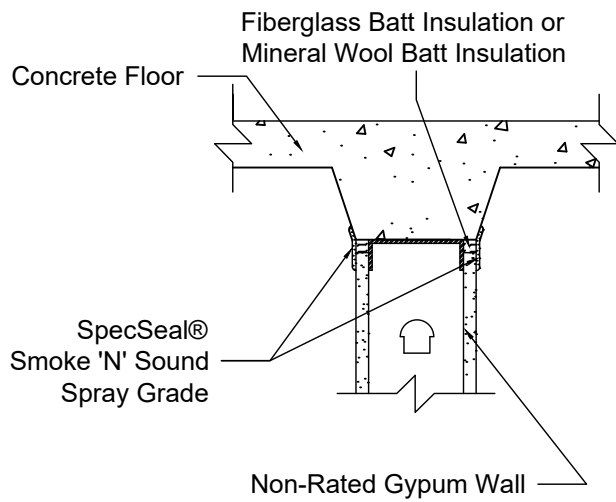
1/8" (3.2mm) Wet Thickness Both Sides of Wall



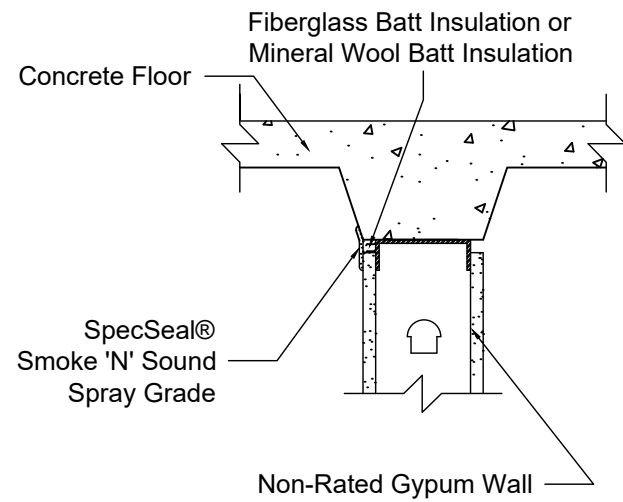
1/8" (3.2mm) Wet Thickness One Side of Wall



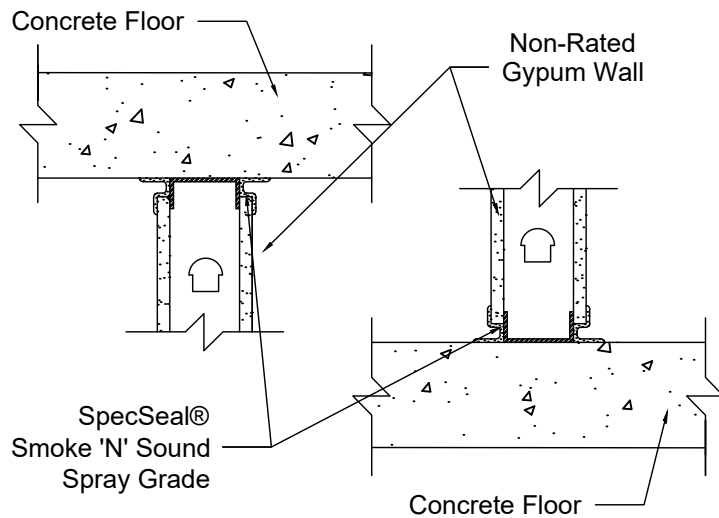
1/8" (3.2mm) Wet Thickness Both Sides of Wall



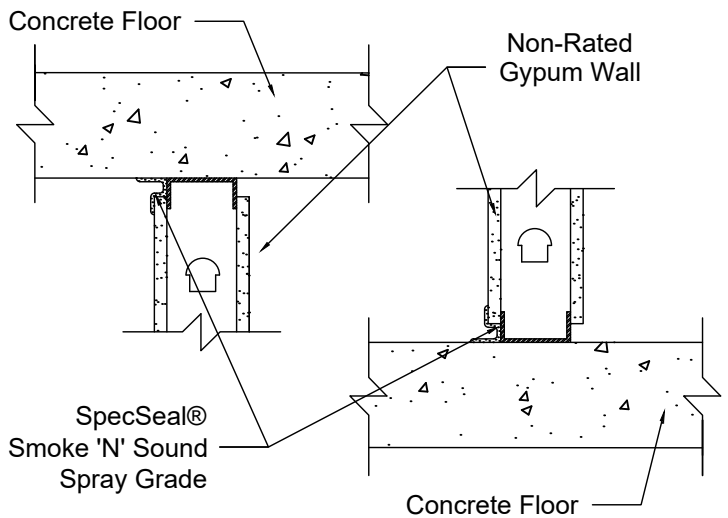
1/8" (3.2mm) Wet Thickness One Side of Wall



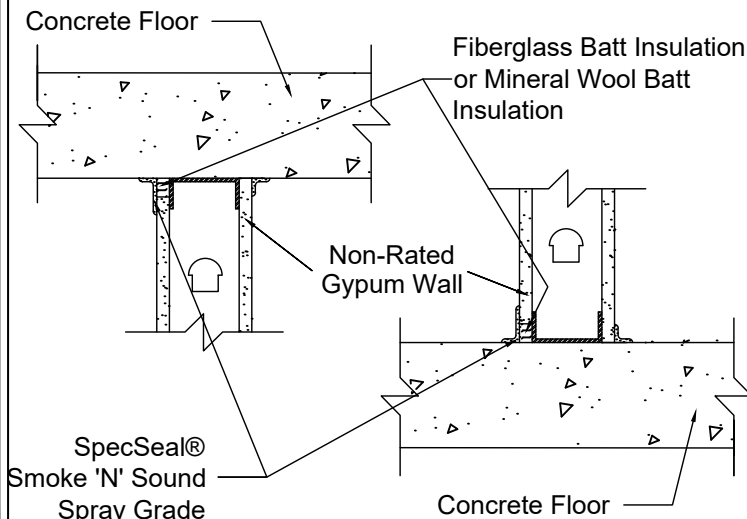
1/8" (3.2mm) Wet Thickness Both Sides of Wall



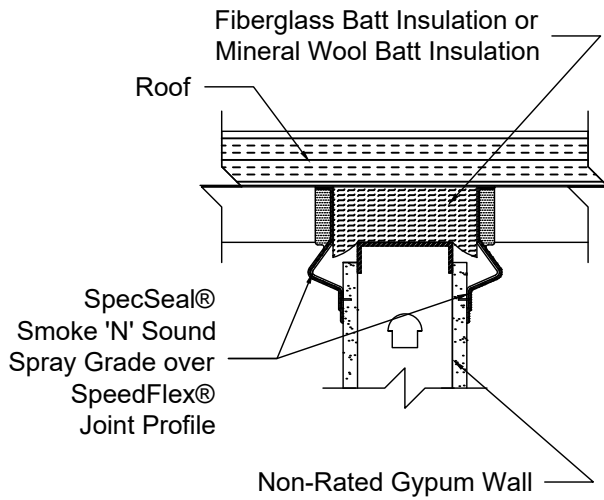
1/8" (3.2mm) Wet Thickness One Side of Wall



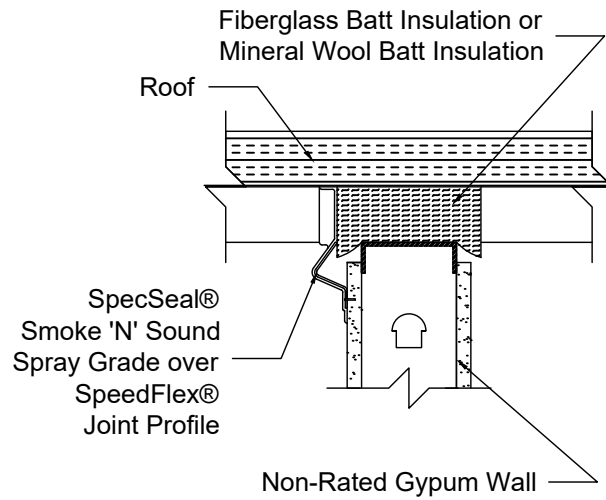
Gypsum Tight or Offset From Floor



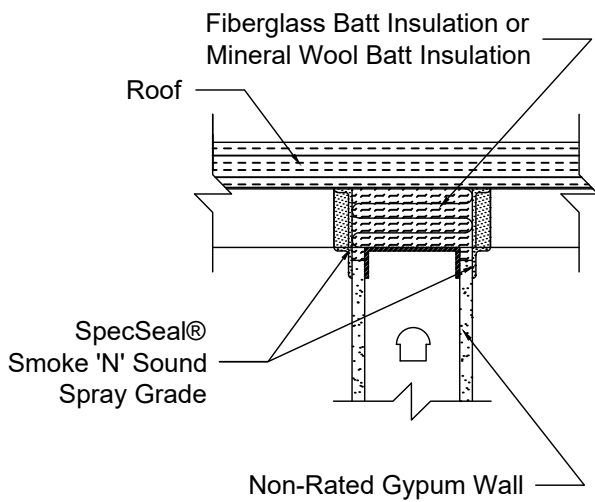
1/8" (3.2mm) Wet Thickness Both Sides of Wall



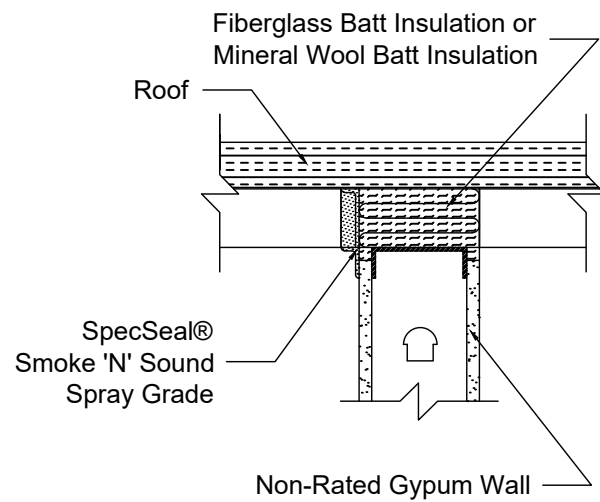
1/8" (3.2mm) Wet Thickness One Side of Wall



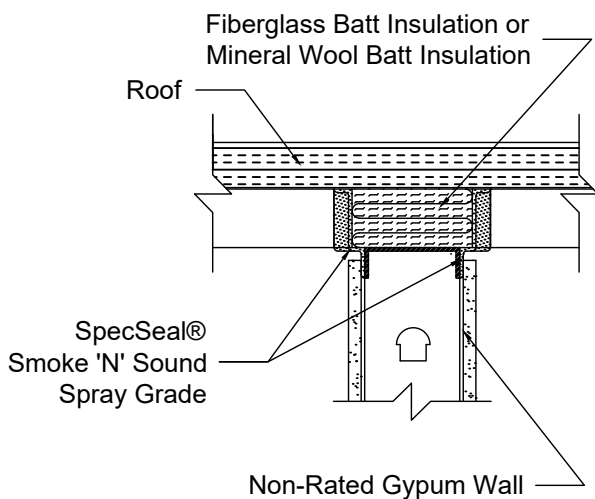
1/8" (3.2mm) Wet Thickness Both Sides of Wall



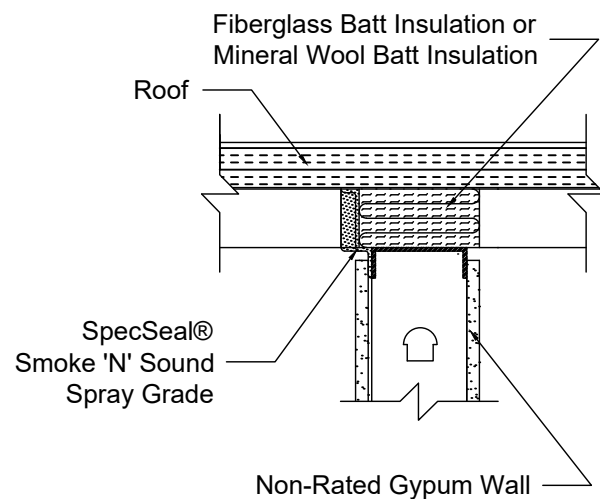
1/8" (3.2mm) Wet Thickness One Side of Wall



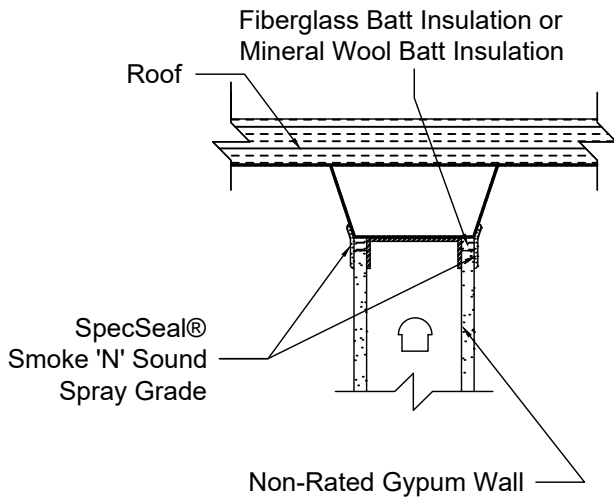
1/8" (3.2mm) Wet Thickness Both Sides of Wall



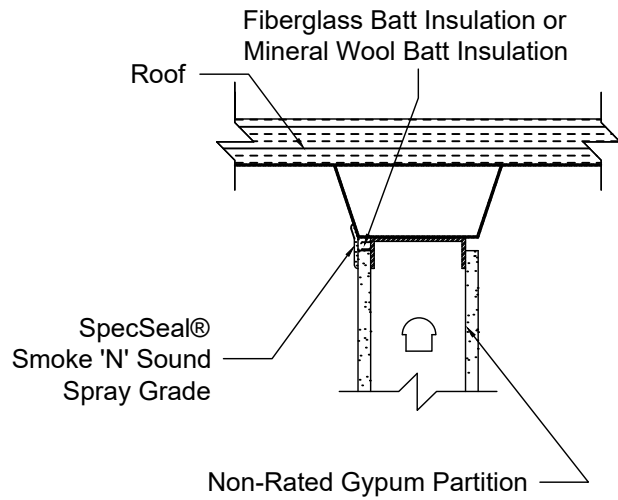
1/8" (3.2mm) Wet Thickness One Side of Wall



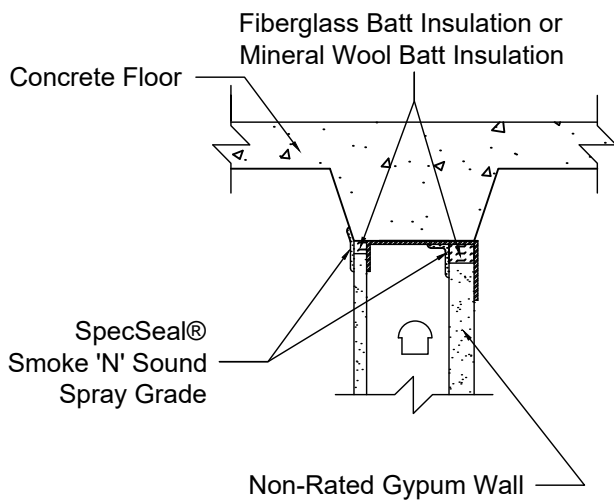
1/8" (3.2mm) Wet Thickness Both Sides of Wall



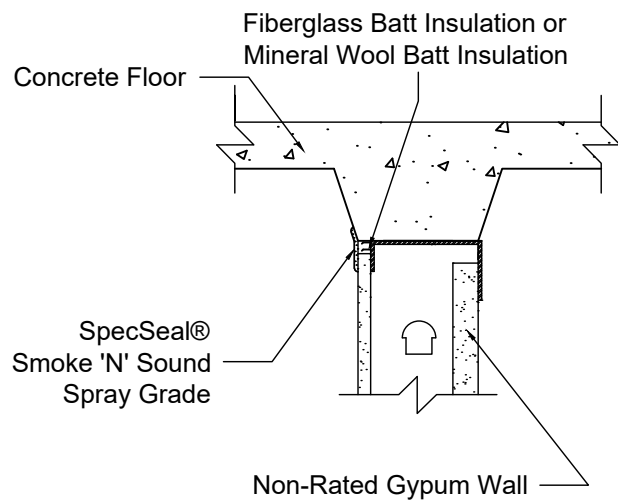
1/8" (3.2mm) Wet Thickness One Side of Wall



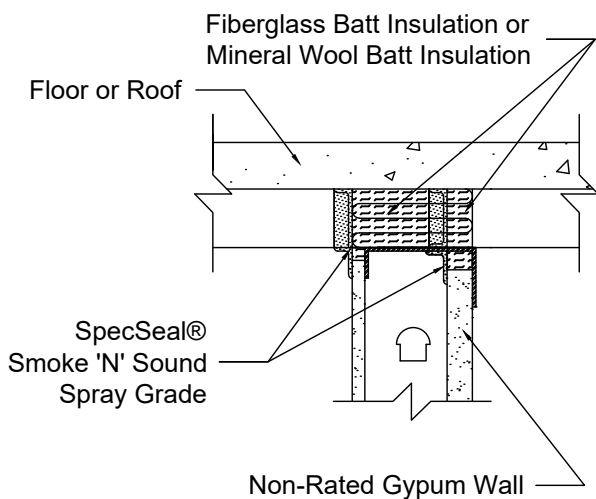
1/8" (3.2mm) Wet Thickness Both Sides of Wall



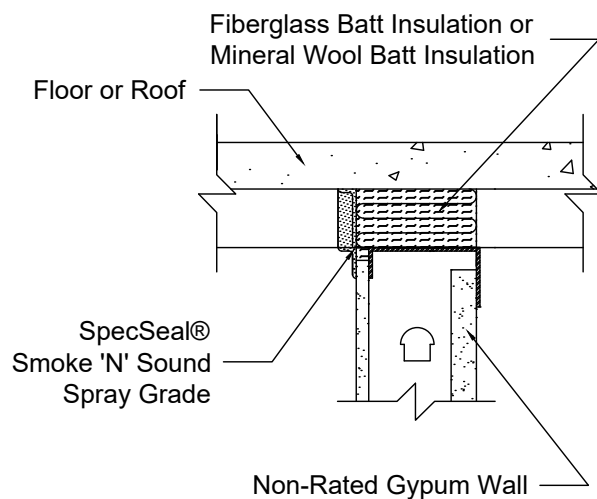
1/8" (3.2mm) Wet Thickness One Side of Wall



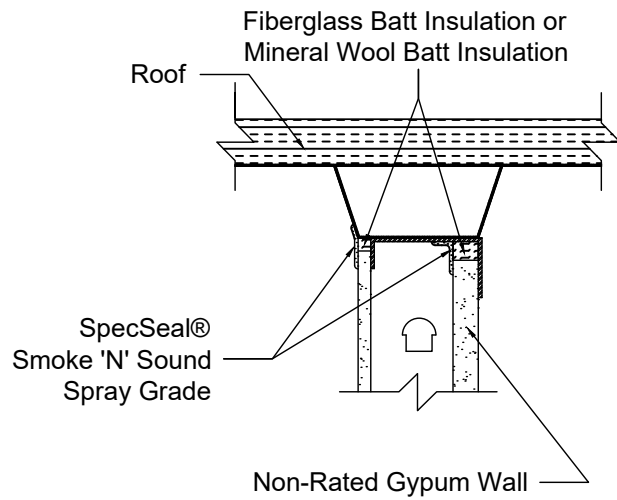
1/8" (3.2mm) Wet Thickness Both Sides of Wall



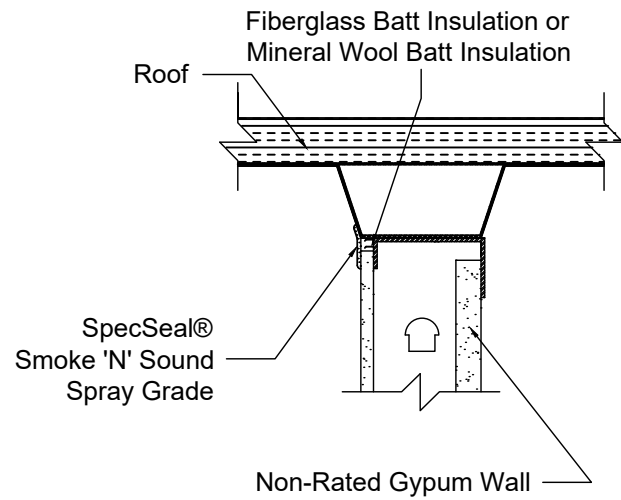
1/8" (3.2mm) Wet Thickness One Sides of Wall



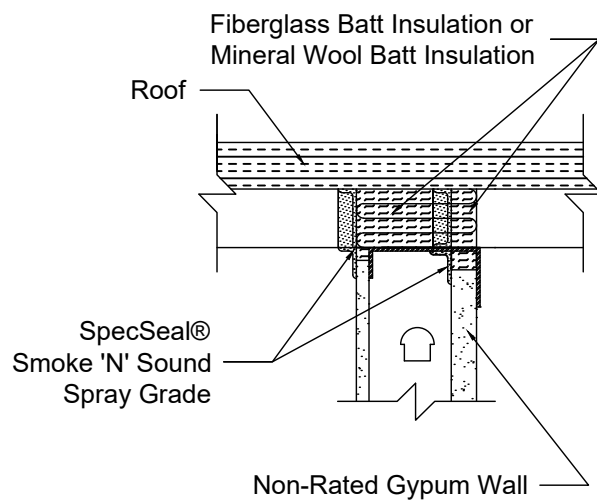
1/8" (3.2mm) Wet Thickness Both Sides of Wall



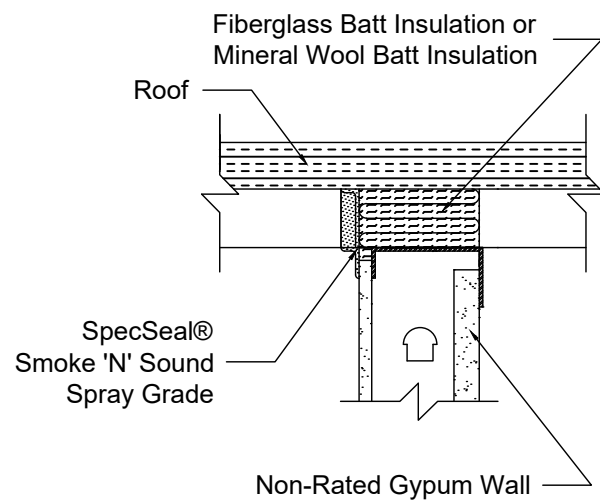
1/8" (3.2mm) Wet Thickness One Side of Wall



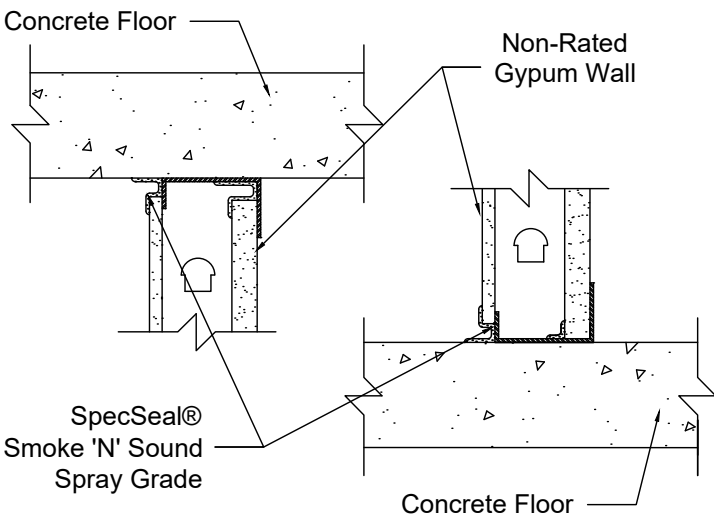
1/8" (3.2mm) Wet Thickness Both Sides of Wall



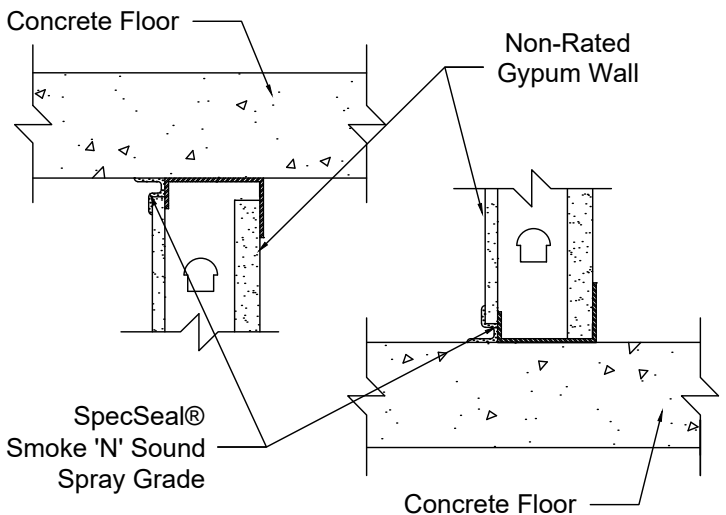
1/8" (3.2mm) Wet Thickness One Sides of Wall



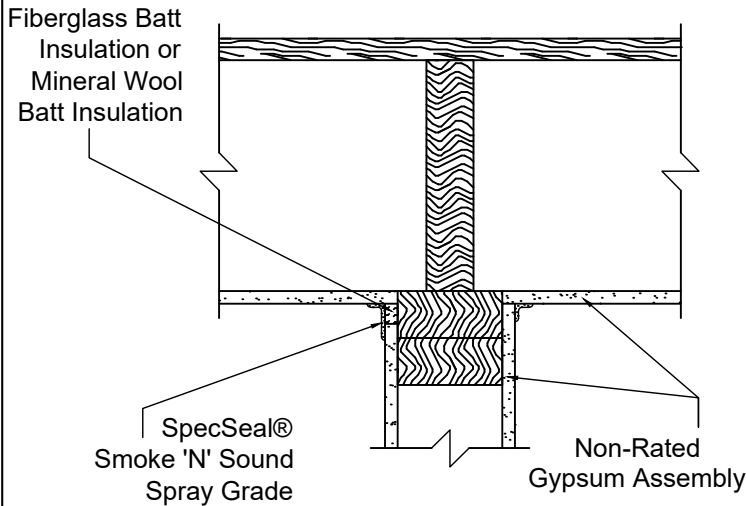
1/8" (3.2mm) Wet Thickness Both Sides of Wall



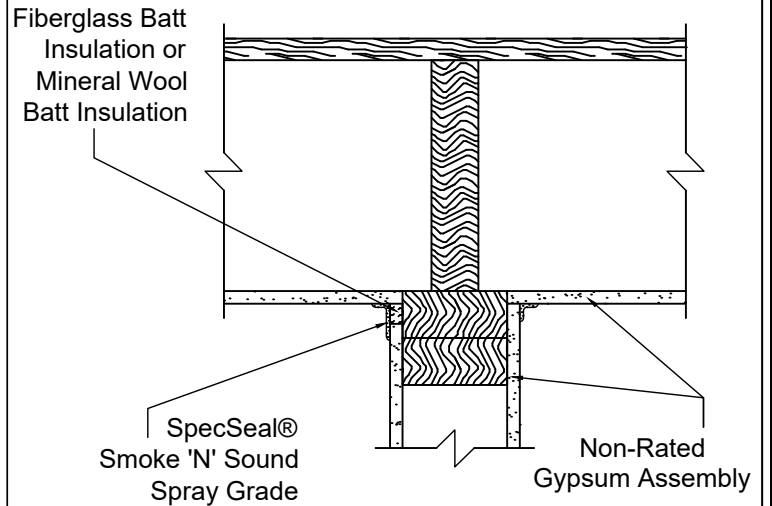
1/8" (3.2mm) Wet Thickness One Side of Wall



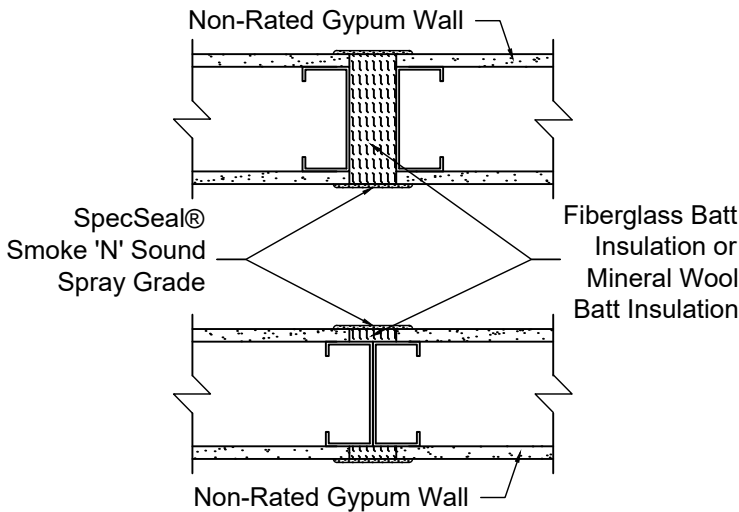
1/8" (3.2mm) Wet Thickness Both Sides of Wall



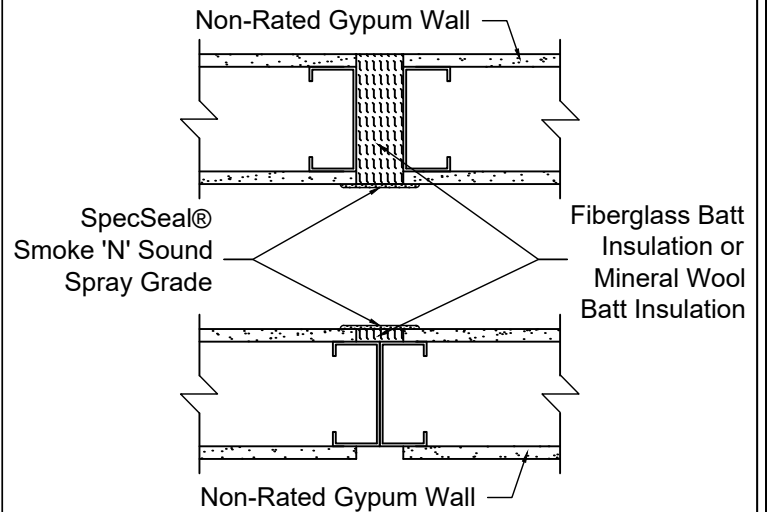
1/8" (3.2mm) Wet Thickness One Side of Wall



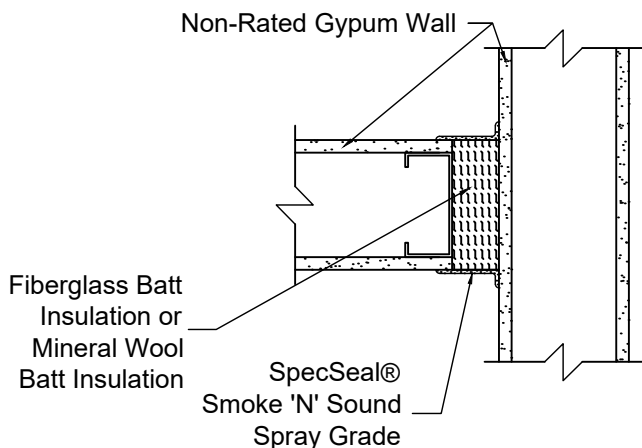
1/8" (3.2mm) Wet Thickness Both Sides of Wall



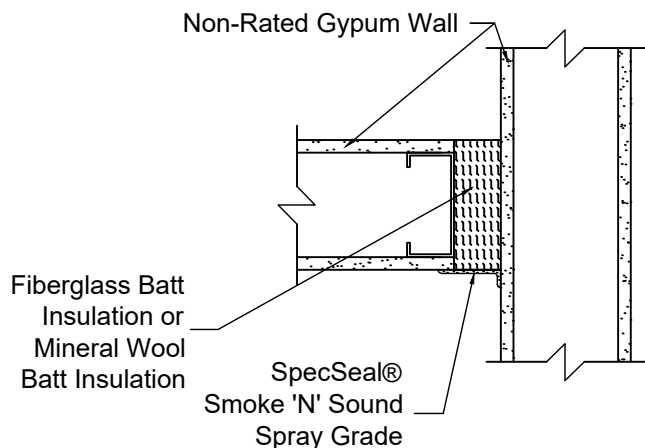
1/8" (3.2mm) Wet Thickness One Side of Wall



1/8" (3.2mm) Wet Thickness Both Sides of Wall

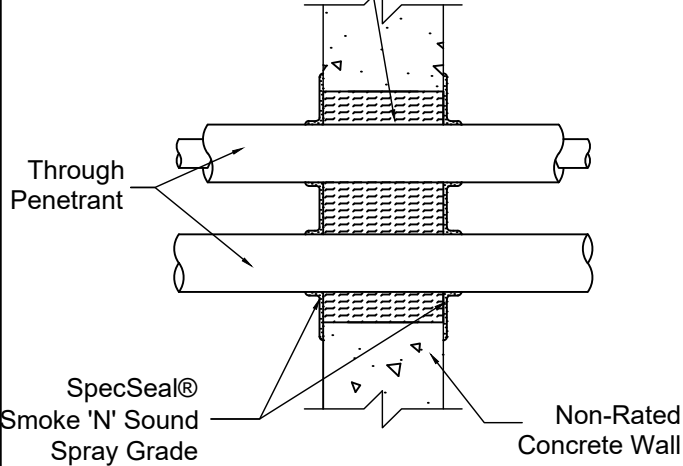


1/8" (3.2mm) Wet Thickness One Side of Wall



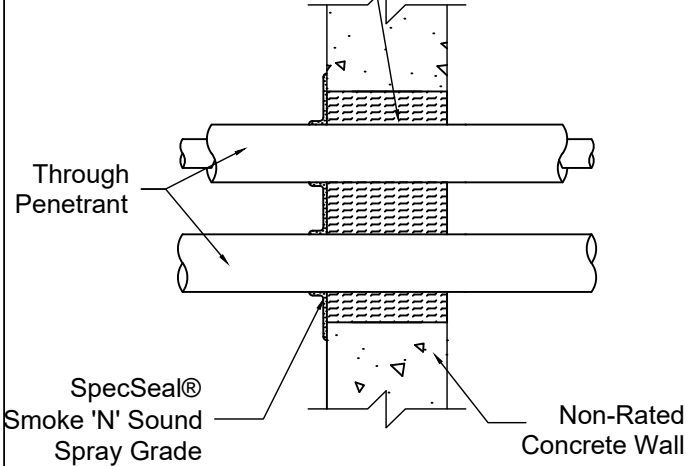
1/8" (3.2mm) Wet Thickness Both Sides of Wall

Fiberglass Batt Insulation or Mineral Wool Batt Insulation



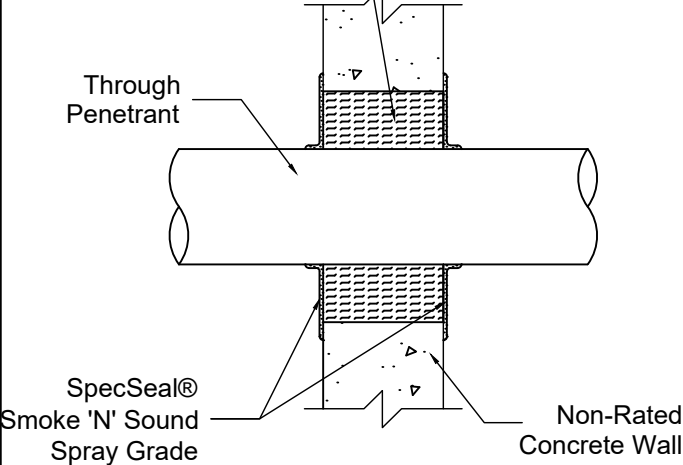
1/8" (3.2mm) Wet Thickness One Side of Wall

Fiberglass Batt Insulation or Mineral Wool Batt Insulation



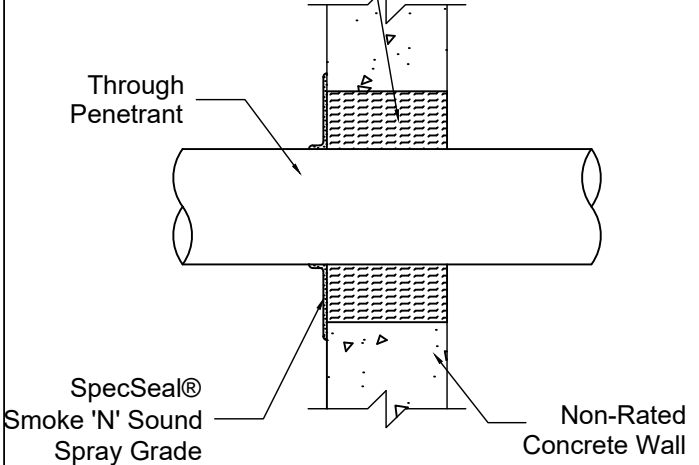
1/8" (3.2mm) Wet Thickness Both Sides of Wall

Fiberglass Batt Insulation or Mineral Wool Batt Insulation



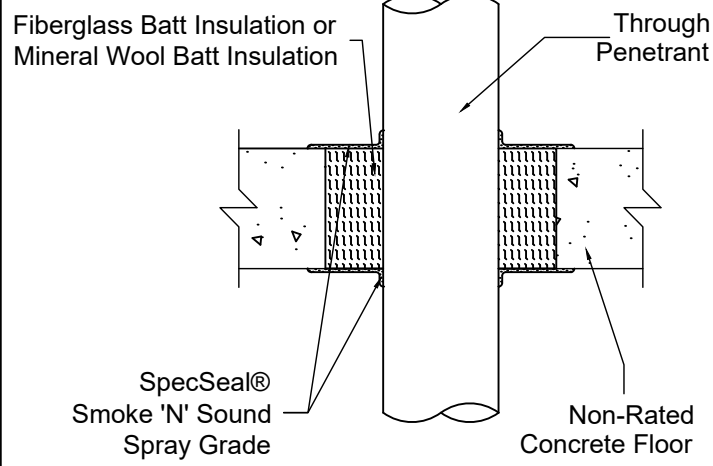
1/8" (3.2mm) Wet Thickness One Side of Wall

Fiberglass Batt Insulation or Mineral Wool Batt Insulation



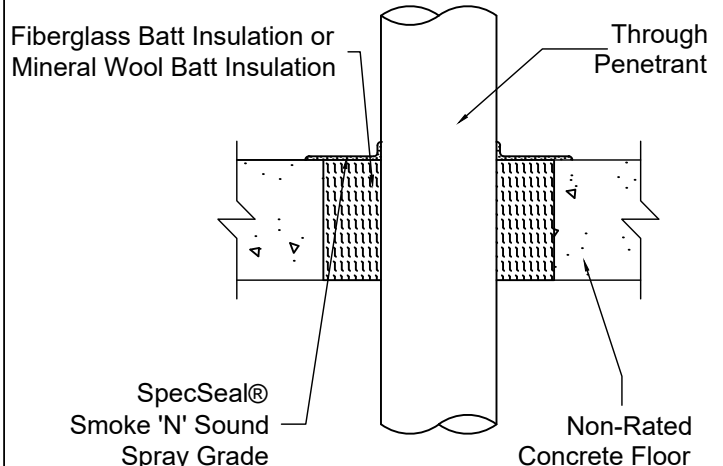
1/8" (3.2mm) Wet Thickness Both Sides of Floor

Fiberglass Batt Insulation or Mineral Wool Batt Insulation



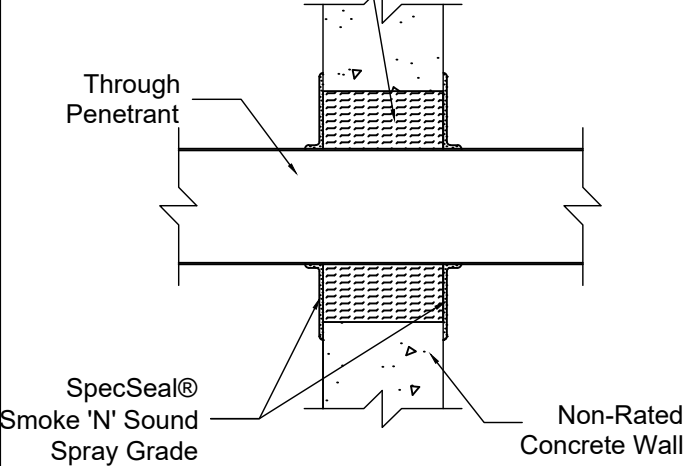
1/8" (3.2mm) Wet Thickness Top Side of Floor

Fiberglass Batt Insulation or Mineral Wool Batt Insulation



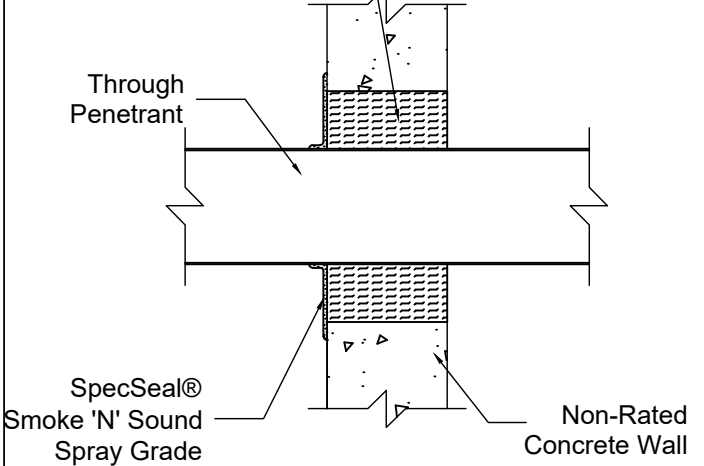
1/8" (3.2mm) Wet Thickness Both Sides of Wall

Fiberglass Batt Insulation or
Mineral Wool Batt Insulation



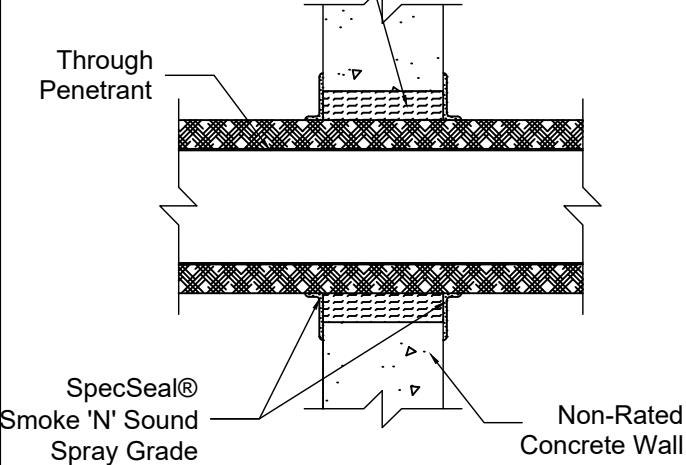
1/8" (3.2mm) Wet Thickness One Side of Wall

Fiberglass Batt Insulation or
Mineral Wool Batt Insulation



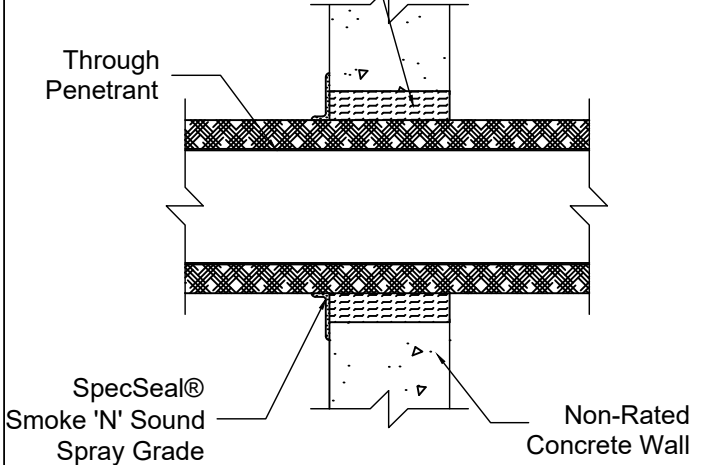
1/8" (3.2mm) Wet Thickness Both Sides of Wall

Fiberglass Batt Insulation or
Mineral Wool Batt Insulation



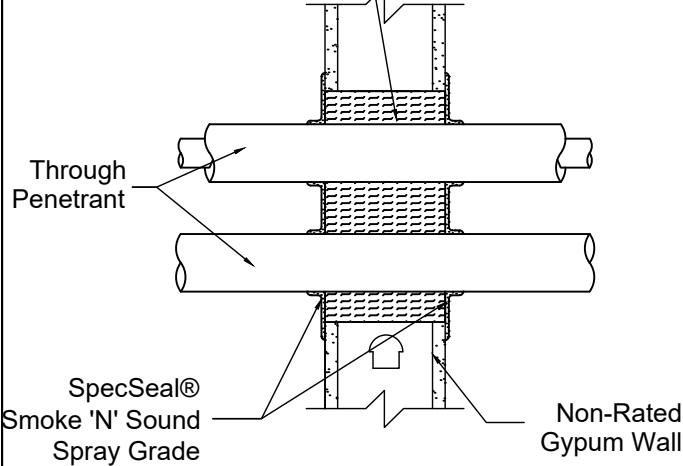
1/8" (3.2mm) Wet Thickness One Side of Wall

Fiberglass Batt Insulation or
Mineral Wool Batt Insulation



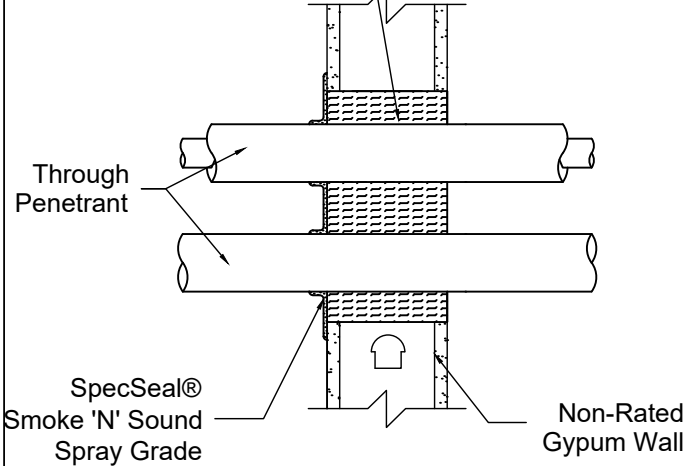
1/8" (3.2mm) Wet Thickness Both Sides of Wall

Fiberglass Batt Insulation or Mineral Wool Batt Insulation



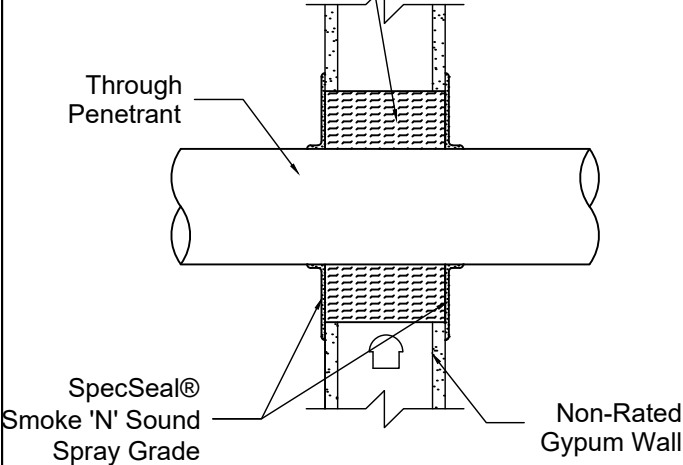
1/8" (3.2mm) Wet Thickness One Side of Wall

Fiberglass Batt Insulation or Mineral Wool Batt Insulation



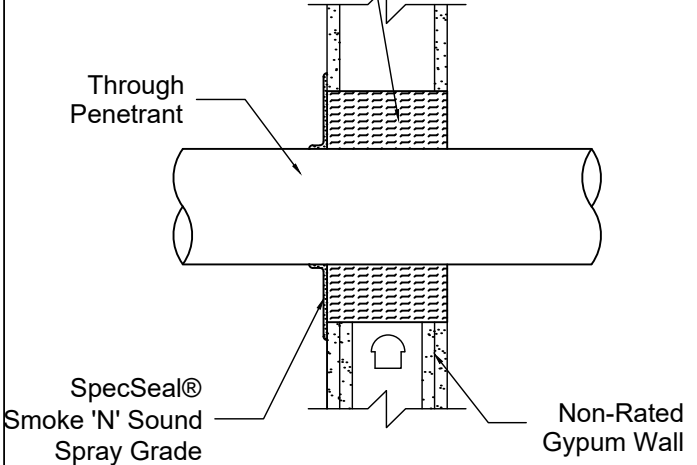
1/8" (3.2mm) Wet Thickness Both Sides of Wall

Fiberglass Batt Insulation or Mineral Wool Batt Insulation



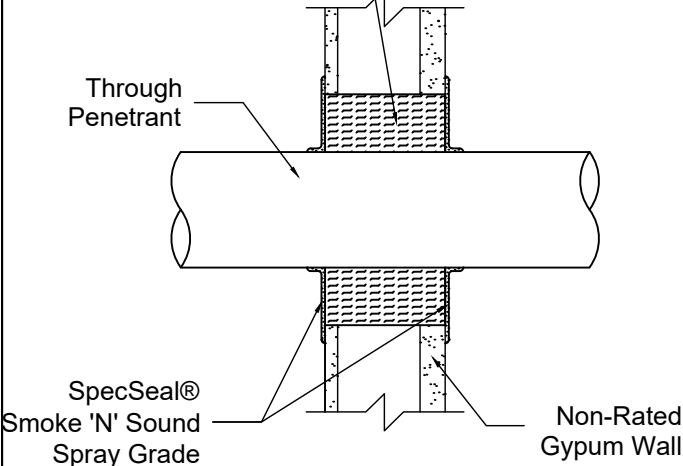
1/8" (3.2mm) Wet Thickness One Side of Wall

Fiberglass Batt Insulation or Mineral Wool Batt Insulation



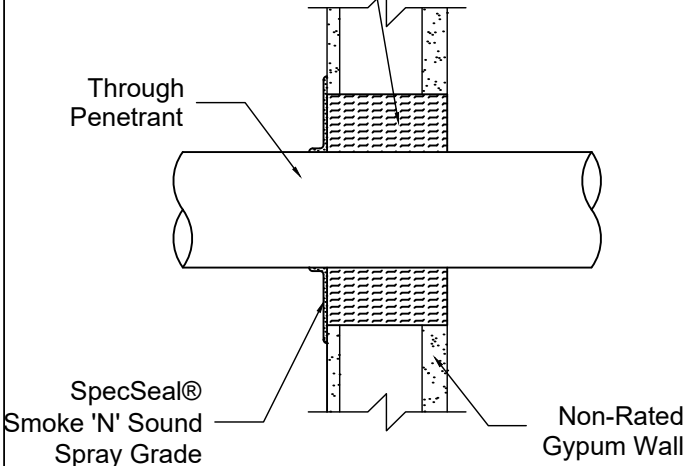
1/8" (3.2mm) Wet Thickness Both Sides of Wall

Fiberglass Batt Insulation or Mineral Wool Batt Insulation



1/8" (3.2mm) Wet Thickness One Side of Wall

Fiberglass Batt Insulation or Mineral Wool Batt Insulation



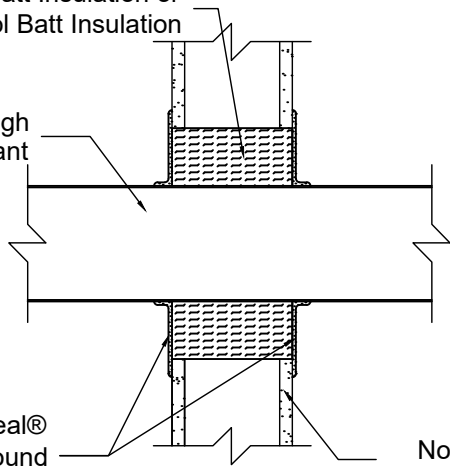
1/8" (3.2mm) Wet Thickness Both Sides of Wall

Fiberglass Batt Insulation or
Mineral Wool Batt Insulation

Through
Penetrant

SpecSeal®
Smoke 'N' Sound
Spray Grade

Non-Rated
Gypsum Wall



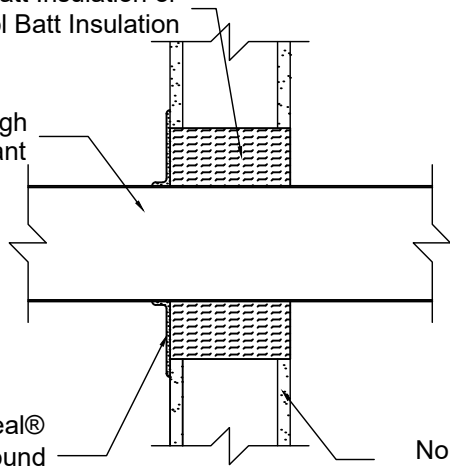
1/8" (3.2mm) Wet Thickness One Side of Wall

Fiberglass Batt Insulation or
Mineral Wool Batt Insulation

Through
Penetrant

SpecSeal®
Smoke 'N' Sound
Spray Grade

Non-Rated
Gypsum Wall



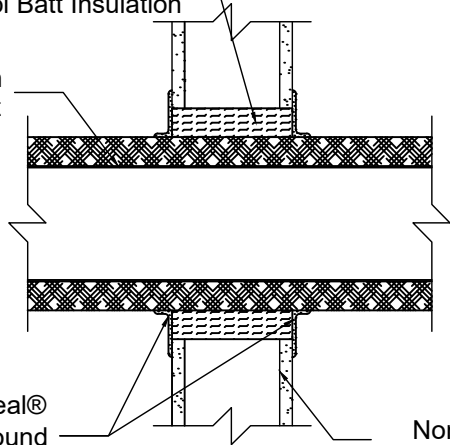
1/8" (3.2mm) Wet Thickness Both Sides of Wall

Fiberglass Batt Insulation or
Mineral Wool Batt Insulation

Through
Penetrant

SpecSeal®
Smoke 'N' Sound
Spray Grade

Non-Rated
Gypsum Wall



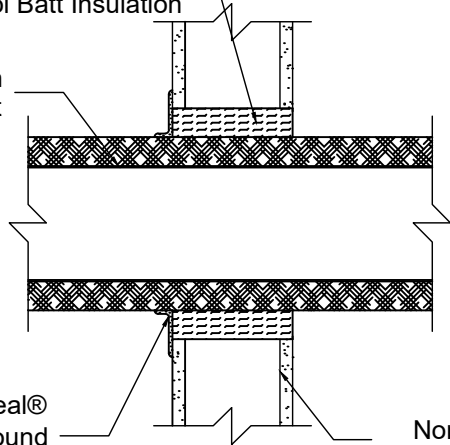
1/8" (3.2mm) Wet Thickness One Side of Wall

Fiberglass Batt Insulation or
Mineral Wool Batt Insulation

Through
Penetrant

SpecSeal®
Smoke 'N' Sound
Spray Grade

Non-Rated
Gypsum Wall



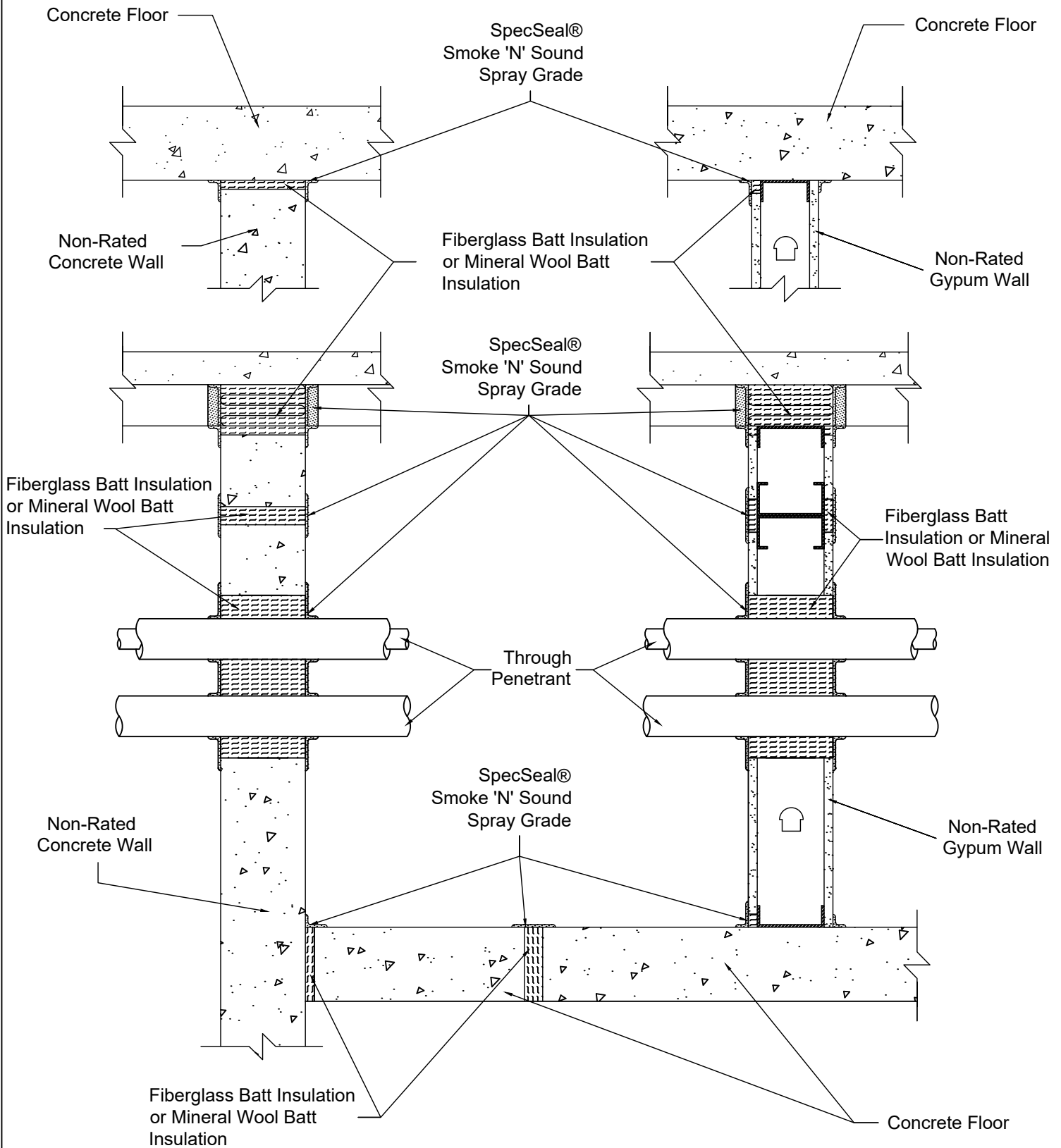
Specified Technologies Inc.

219 Evans Way • Somerville, NJ 08876 USA • Toll Free: 800-992-1190 • T: +1 908-526-3000
F: +1 908-231-8415 • E: techserv@stifirestop.com • www.stifirestop.com

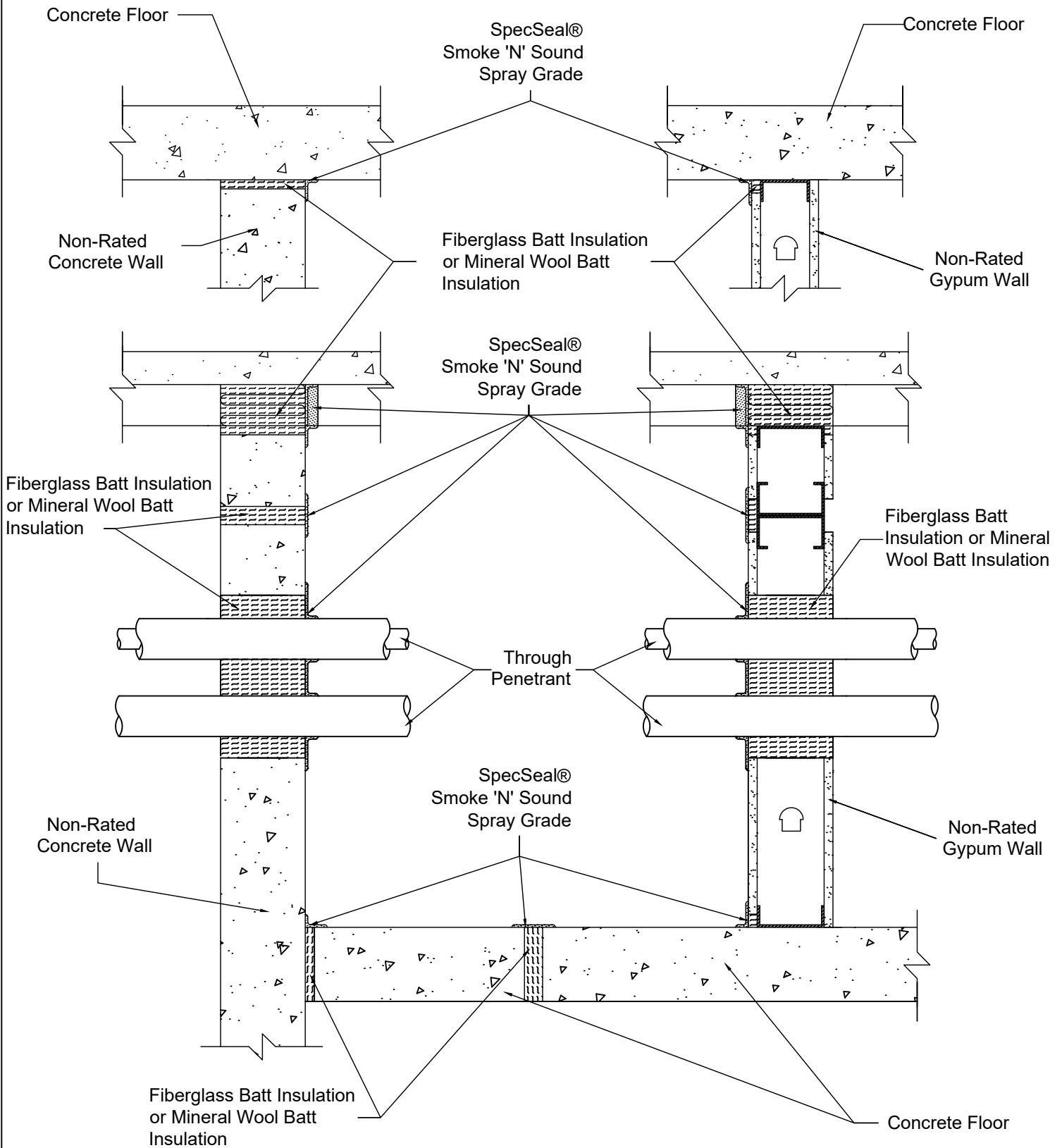
All statements, technical information, and recommendations contained herein are based upon tests we believe to be accurate; however since the conditions of use and application are beyond our control, STI shall not be liable for any damage, direct or consequential, resulting from the use of this material or design. STI's sole warranty shall be to refund or replace materials found to be defective.

ZIS1224

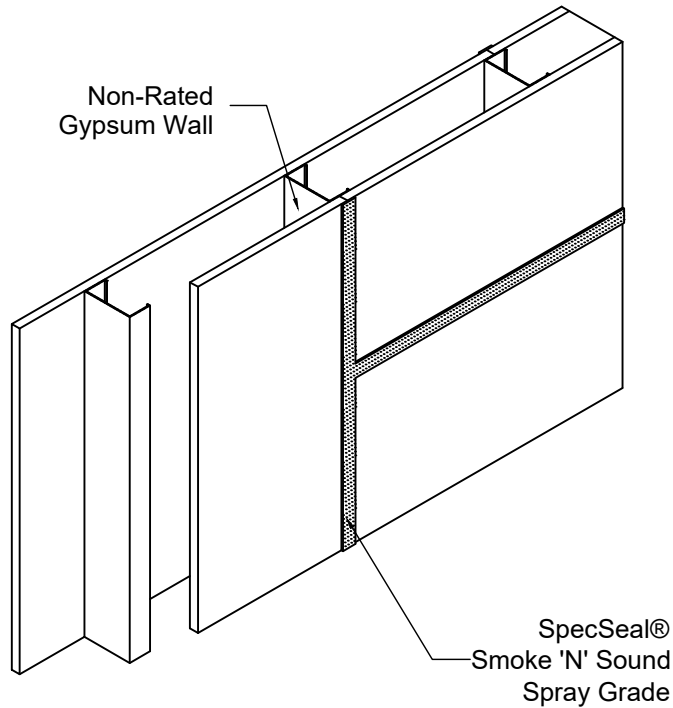
SpecSeal® Smoke 'N' Sound Acoustical Spray Application Details (Examples)
 Spray Applied on Both Sides of Wall to a 1/8" Thickness



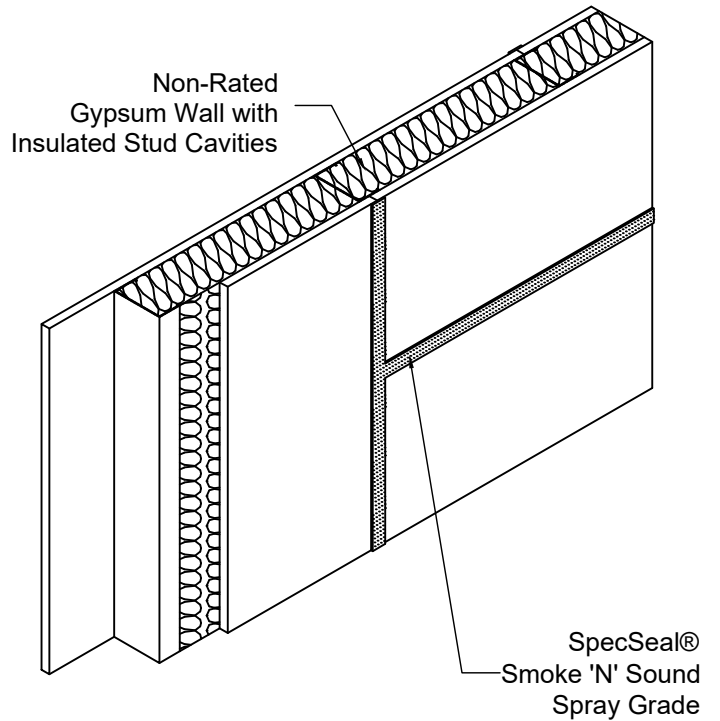
SpecSeal® Smoke 'N' Sound Acoustical Spray Application Details (Examples)
 Spray Applied on One Side of Wall to a 1/8" Thickness



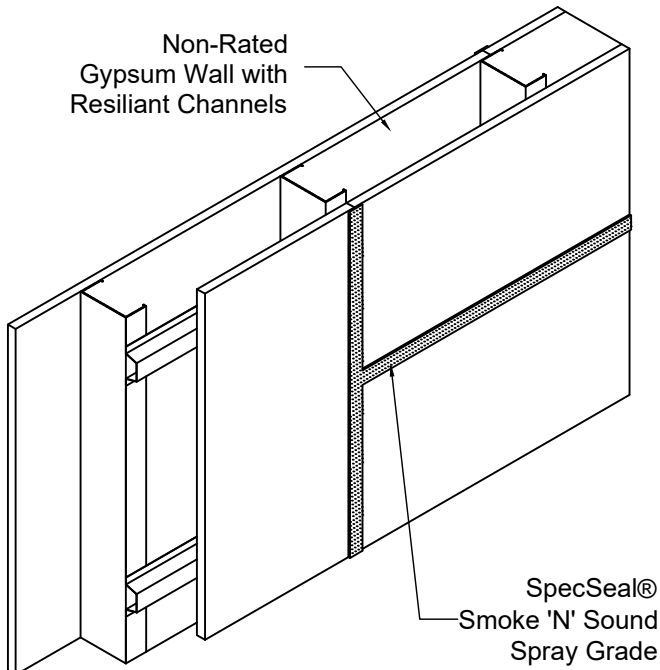
1/8" (3.2mm) Wet Thickness Over Butted Seams



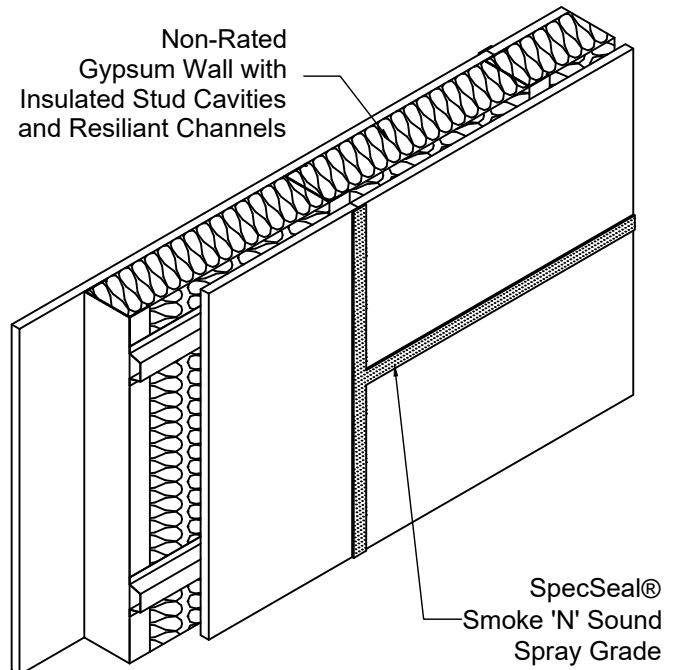
1/8" (3.2mm) Wet Thickness Over Butted Seams



1/8" (3.2mm) Wet Thickness Over Butted Seams



1/8" (3.2mm) Wet Thickness Over Butted Seams



1/8" (3.2mm) Wet Thickness Covering Electrical Box

