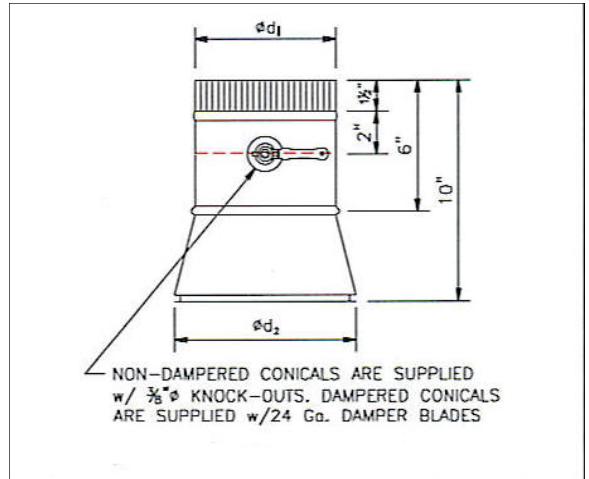


Spin-In Conical

Specifications

- Galvanized Steel (ASTM A653 and A924)
- G-60 Galvanized Coating (ASTM A653 and ASTM 90)
- Available in Specialty Metals:
 - Aluminum (ASTM B209 Alloy 3003 Temper H14)
 - 304 Stainless Steel (ASTM A480 2B Finish)
- Pressure Rating: Designed per SMACNA Third Edition 2005 Section 4.8 Figure 4-6 Brand Connections
- Dimensional Tolerance: $\pm 1/4"$



Product Availability					
Size ϕd_1	Gauge Availability		Quantity		Dimension
	26 Ga.	24 Ga.	Carton	Skid	ϕd_2
4"	YES	-	10	280	5.75"
5"	YES	YES	10	280	6.75"
6"	YES	YES	20	256	7.75"
7"	YES	YES	20	160	8.75"
8"	YES	YES	20	160	9.75"
9"	YES	YES	10	140	10.75"
10"	YES	YES	8	112	11.75"
12"	YES	YES	8	72	13.75"
14"	YES	YES	5	64	15.75"
16"	-	YES	5	40	17.75"
18"	-	YES	5	40	19.75"
20"	-	YES	3	36	21.75"

Dampered fittings are available with 1.5" or 2" Stand-Off.