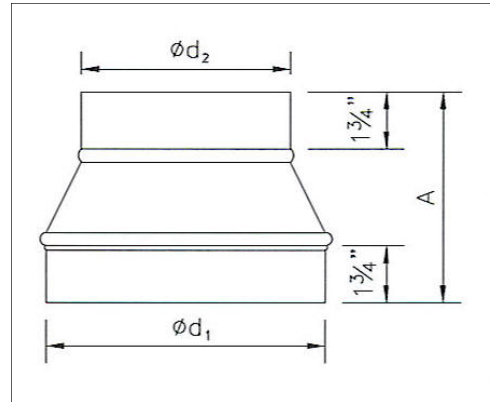


# Reducers

## Specifications

- Galvanized Steel (ASTM A653 and A924)
- G-60 Galvanized Coating (ASTM A653 and ASTM 90)
- Available in Specialty Metals:
  - Aluminum (ASTM B209 Alloy 3003 Temper H14)
  - 304 Stainless Steel (ASTM A480 2B Finish)
- Pressure Rating: Designed per SMACNA Third Edition 2005 Section 4.8 Figure 4-6 Branch Connections
- Dimensional Tolerance:  $\pm 1/4"$



Product Availability					
Size $\phi d_1 \times \phi d_2$	Gauge Availability		Quantity		Dimension
	26 Ga.	24 Ga.	Carton	Skid	A
4" x 3"	YES	YES	28	336	6 3/4"
5" x 3"	YES	YES	28	336	6 3/4"
5" x 4"	YES	YES	28	336	6 1/4"
6" x 3"	YES	YES	28	336	7"
6" x 4"	YES	YES	28	336	7"
6" x 5"	YES	YES	28	336	5 6/8"
7" x 3"	YES	YES	16	192	5 13/16"
7" x 4"	YES	YES	16	192	6"
7" x 5"	YES	YES	16	192	6"
7" x 6"	YES	YES	16	192	6 1/4"
8" x 5"	YES	YES	16	192	7"
8" x 6"	YES	YES	16	192	6"
8" x 7"	YES	YES	16	192	6 1/4"
9" x 5"	YES	YES	10	120	6 11/16"
9" x 6"	YES	YES	10	120	7"
9" x 7"	YES	YES	10	120	6"
9" x 8"	YES	YES	10	120	6 1/4"
10" x 6"	YES	YES	10	120	7 1/2"

Product Availability					
Size $\phi d_1 \times \phi d_2$	Gauge Availability		Quantity		Dimension
	26 Ga.	24 Ga.	Carton	Skid	A
10" x 7"	YES	YES	10	120	6 3/4"
10" x 9"	YES	YES	10	120	6"
12" x 6"	YES	YES	20	168	9 1/2"
12" x 7"	YES	YES	20	168	9"
12" x 8"	YES	YES	20	168	8 1/8"
12" x 9"	YES	YES	20	168	7"
12" x 10"	YES	YES	20	168	6"
14" x 10"	YES	YES	16	192	8"
14" x 12"	YES	YES	16	192	6"
16" x 10"	-	YES	16	192	6 3/4"
16" x 12"	-	YES	16	192	7 1/2"
16" x 14"	-	YES	16	192	6"
18" x 14"	-	YES	10	120	7 1/2"
18" x 16"	-	YES	10	120	7 3/4"
20" x 14"	-	**	5	60	9 1/2"
20" x 16"	-	**	5	60	9 3/4"
20" x 18"	-	**	5	60	6"

\*\* Consult factory for availability