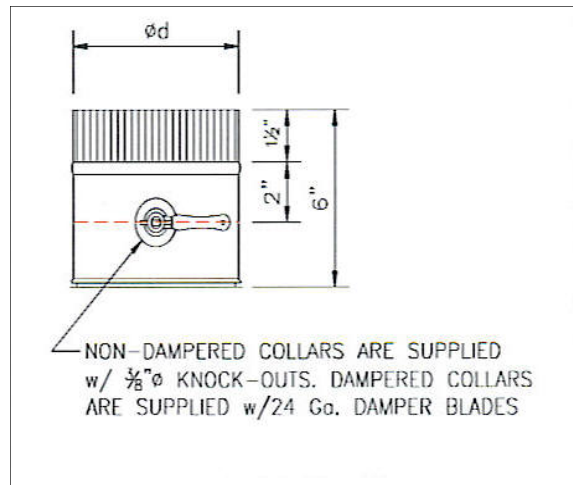


6" Long Spin-In Collar

Specifications

- Galvanized Steel (ASTM A653 and A924)
- G-60 Galvanized Coating (ASTM A653 and ASTM 90)
- Available in Specialty Metals:
 - Aluminum (ASTM B209 Alloy 3003 Temper H14)
 - 304 Stainless Steel (ASTM A480 2B Finish)
- Pressure Rating: Designed per SMACNA Third Edition 2005 Section 4.8 Figure 4-6 Brand Connections
- Dimensional Tolerance: $\pm 1/4"$



| Product Availability | | | | |
|----------------------|--------------------|--------|----------|------|
| Size ϕ d | Gauge Availability | | Quantity | |
| | 26 Ga. | 24 Ga. | Carton | Skid |
| 4" | YES | - | 30 | 840 |
| 5" | YES | YES | 30 | 840 |
| 6" | YES | YES | 20 | 560 |
| 7" | YES | YES | 25 | 400 |
| 8" | YES | YES | 20 | 320 |
| 9" | YES | YES | 20 | 200 |
| 10" | YES | YES | 20 | 200 |
| 12" | YES | YES | 10 | 140 |
| 14" | YES | YES | 10 | 90 |
| 16" | - | YES | 5 | 80 |
| 18" | - | YES | 5 | 50 |
| 20" | - | YES | ** | ** |
| 22" | - | ** | ** | ** |
| 24" | - | ** | ** | ** |

** Consult factory for availability

Dampered fittings are available with 1.5" or 2" Stand-Off.